

ADDITIONAL ACCESSORIES

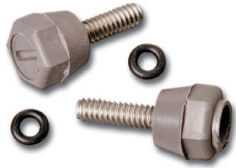
Trilobular Screws



This 10-32 x 1/2 pan phillips head stainless steel screw is self threading for the mounting bosses in thermoplastic enclosures. Sold in a 2 count pack.

CATALOG NUMBER
RE2PKTBS

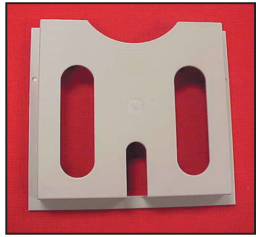
Encapsulated Screws



For corrosive environments this pvc coated stainless steel screw head thread #10-24 screw pack is for you. Available in a 2 or 4 count pack with O-rings included to make screw captive.

CATALOG NUMBER
RE2PKENCAP
RE4PKENCAP

Plastic Print Pocket



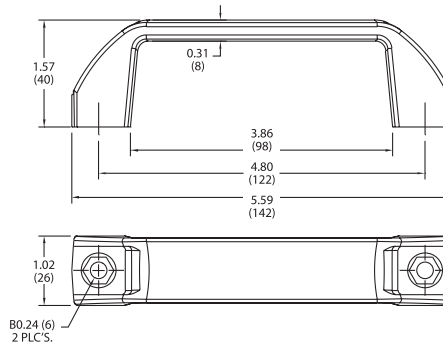
Robroy Enclosures' offers a polystyrene print pocket with self-adhesive tape that can be utilized to store prints, or other important documents within the enclosure.

CATALOG NUMBER	HEIGHT	WIDTH	DEPTH
REPRTPKT	9.3"	10.4"	1.2"

Carrying Handle

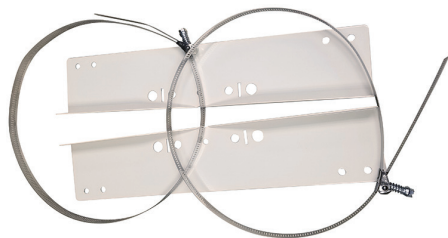


Robroy Enclosures' nylon carrying handle is the perfect solution to make your system portable.



CATALOG NUMBER	HOLE DIAMETER	SCREW SIZE
RECH109506	.25"	1/4-20

Pole Mount



Robroy Enclosures' pole mount kit fits the enclosure dimension that will be mounted perpendicular to pole.

Comes with light gray powder coated carbon steel top and bottom flanges, stainless steel straps, and mounting screws.

CATALOG NUMBER
PM6-8
PM10-12
PM14-16
PM18-24

Vapor Capsule



Robroy Enclosures' vapor capsules contain a unique vapor phase inhibitor designed to protect metallic surfaces within an enclosure against airborne corrosion.

CATALOG NUMBER
REVC21

Note: Radius of Protection: 2 ft.
Normal Life Span: 1 yr.